

SLIDE TOPPER AWNING REPLACEMENT INSTRUCTIONS FOR THE FABRIC TORSION ASSEMBLY ROLLER TUBE

TOOLS REQUIRED:

Screwdriver
Pop Rivet Tool
Pliers
Electric Drill
3/16" Drill Bit
1/8" Drill Bit
Stepladder

1. GENERAL INSTRUCTIONS

The Slide Topper fabric roller tube assembly (FRTA) consists of a fabric, roller tube and two torsion assemblies. For proper Slide Topper Awning operation, the roller tube is under spring tension from the torsion assemblies.

⚠ WARNING

Use extreme care. Springs under tension are dangerous. If not controlled, they will unwind quickly. Keep hands and clothing clear of the end brackets as personal injury may result.

In all instances of fabric or roller tube replacement, it will be necessary to have a work area large enough to allow complete unrolling of the awning. This area must be clean and smooth so the awning fabric will not be damaged.

⚠ WARNING

These instructions must be read and understood before installation of this kit. This kit must be installed by a Dometic Service Center or a qualified service technician. Improper modification of this product can be extremely hazardous and could result in personal injury or property damage.

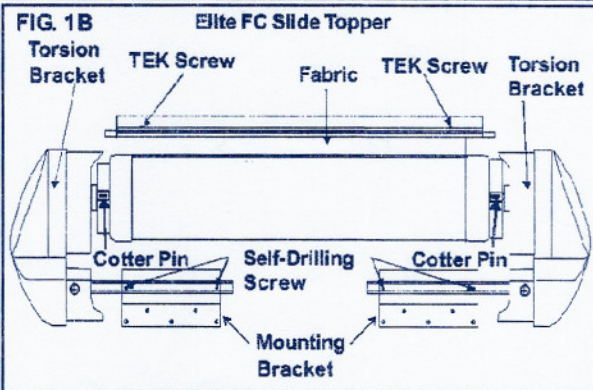
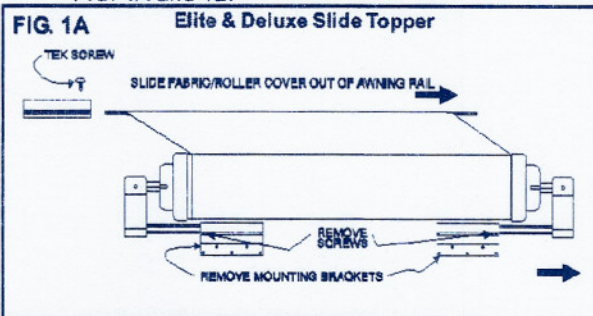
REVISION

Form No. 3106819.034 5/03
(Replaces 3106819.026)
(French 3108510.011)
©2003 Dometic Corporation
LaGrange, IN 46761

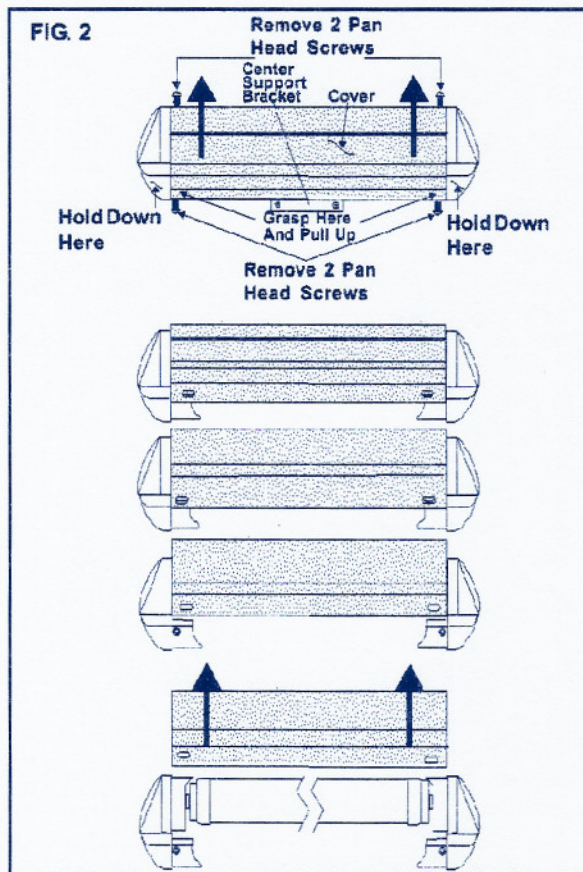
2. REMOVE SLIDE TOPPER FROM SLIDE-OUT-ROOM

For ease of repair and winding or unwinding of the torsion, the awning must be removed from the slide-out-room. Fully retract the slide-out-room to the transport position before removing the slide topper.

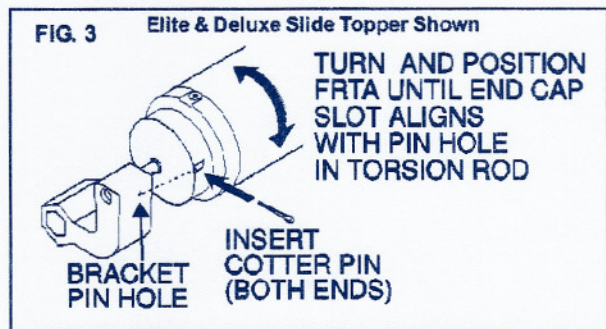
A. Remove the TEK screws securing the awning fabric/aluminum guard at each end of the awning rail. (See FIG. 1A and 1B.)



- B. On Elite FC slide topper it is necessary to remove the cover at this time.
1. Remove the two (2) screws in the center support bracket. See FIG. 2.
 2. Remove the four (4) pan head screws in the cover. See FIG. 2.
 3. Grasp the cover at the bottom edge near one end of the torsion bracket and pry the cover up approximately 1-2" with one hand while holding the torsion bracket with the other hand. Repeat the same process at the other end and continue lifting the cover until it can be fully removed. See FIG. 2.
 4. Place the cover in an area where it will not be damaged.



- C. Insert a $7/64" \times 2-3/4"$ cotter pin into each end cap and through the hole in the torsion rod. It may be necessary to turn the roller tube and slide the end bracket toward or away from the FRTA to align the hole in the torsion rod. See FIG. 1B & 3. Repeat on the opposite end.
- D. Remove both self-drilling screws holding the two (2) hex extension bars in the mounting brackets. See FIG. 1A & 1B.



- E. Remove both mounting brackets from the slide-out-room. See FIG. 1A & 1B.
- F. Slide the slide topper out of the awning rail. This may require two people.

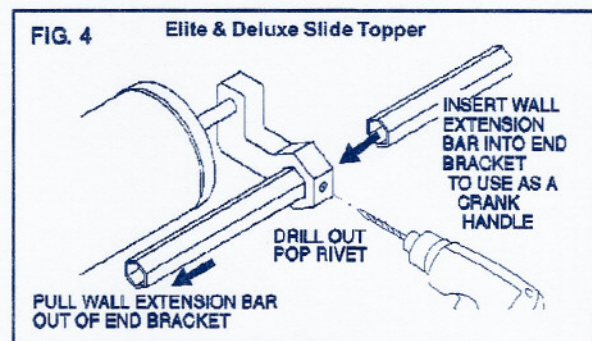
3. UNWINDING AND REMOVING THE TORSION ASSEMBLY

- A. Remove Slide Topper awning from the slide-out-room. See Section 2, Steps A-F.

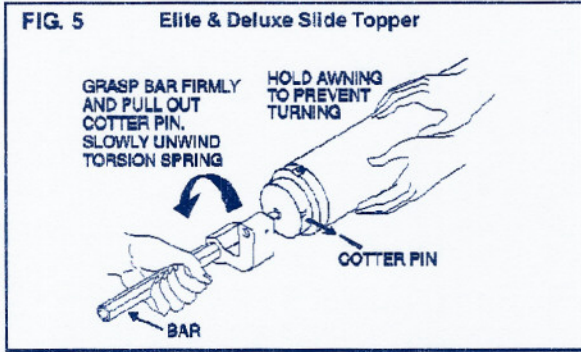
WARNING

Do not remove the cotter pin located on each end of the FRTA until instructed to do so. The FRTA is pre-wound and under tension. Rapid spin-off will occur if the cotter pin is removed. Failure to follow these instructions could cause serious personal injury or property damage.

- B. Remove hex extension bar.
1. Elite and Deluxe Slide topper
 - a. Drill $3/16" \times 3/8"$ pop rivet out of end bracket. This will allow the hex extension bar to be removed and inserted from the other side. It then will act as a crank handle. See FIG. 4. If the other torsion needs to be removed, repeat Step 1.

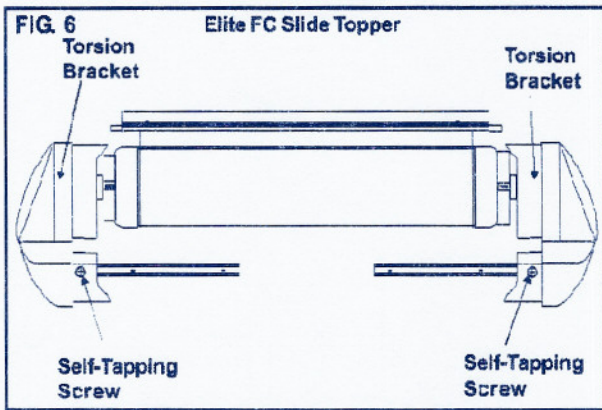


- b. Two people are required to unwind the torsion spring. Have one person hold the awning tube. The second person will tightly grasp the hex extension bar and remove the cotter pin. See FIG. 5.
- c. While controlling the hex extension bar slowly unwind the torsion spring. See FIG. 5.

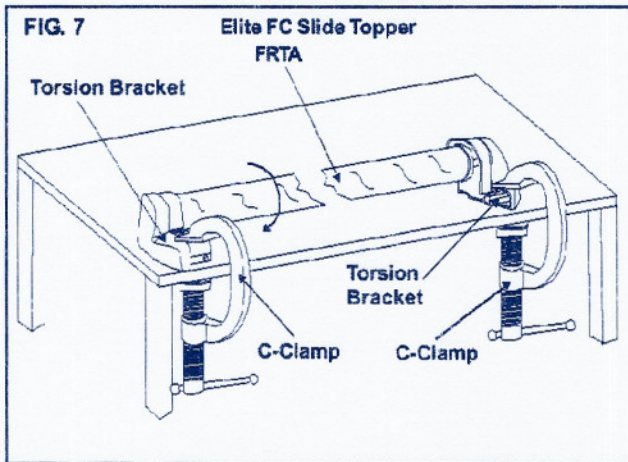


2. Elite FC Slide Topper

- a. Remove the self-tapping screw from the torsion bracket. Remove the hex extension bar from the torsion bracket. See FIG. 6.



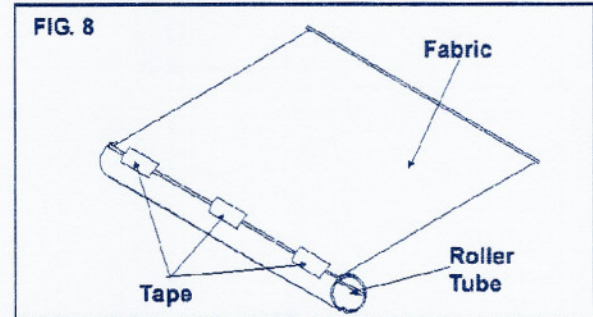
- b. Place the FRTA on a work bench and secure to bench with C-clamp as shown in FIG. 7.



- c. Two people are required to unwind the torsion. Have one person tightly grasp the FRTA. The second person will now remove both cotter pins. See FIG. 1B.
 - d. While controlling the FRTA, slowly allow the torsion spring to unwind.
- C. Drill out pop rivets that attach the end cap to the roller tube. Pull the torsion out from the roller tube.

4. REMOVING FABRIC ASSEMBLY FROM ROLLER TUBE

- A. Remove the Slide Topper awning from the slide-out-room. See Section 2, Steps A-F.
- B. Inspect end cap for alignment with the polyrope channel in the roller tube. If the polyrope does not align with the slot of the end cap, the torsion must be removed. See Section 3, Steps A-C.
- C. Unroll fabric assembly. Remove tape holding fabric in place and slide the fabric out of the roller tube channel. See FIG. 8.

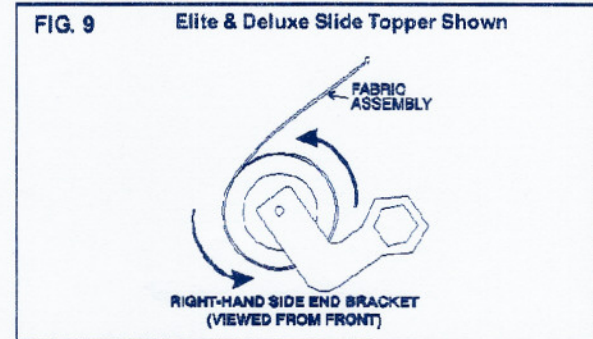


5. ROLLER TUBE REMOVAL

- A. Remove awning from slide-out-room. See Section 2, Steps A-F.
- B. Remove both torsions. See Section 3, Steps A-C.
- C. Remove fabric assembly. See Section 4, Steps A-C.

6. INSTALLATION OF FABRIC ASSEMBLY ON ROLLER TUBE

- A. Be sure the new fabric assembly is the correct size and color. If roller tube is being replaced, make sure it is the correct length.
- B. If your roller tube is new, the fabric assembly can be placed in any one of the three channels. If you are placing a new fabric assembly onto an existing roller tube, the fabric is placed into the same channel from which the old fabric was removed. This eliminates the need to drill new holes.
- C. Center the fabric assembly on the roller tube and tape in place. See FIG. 8. Hand-roll the entire assembly in the same direction as the original fabric assembly. See FIG. 9. Trim off any polyrope protruding from the roller tube.

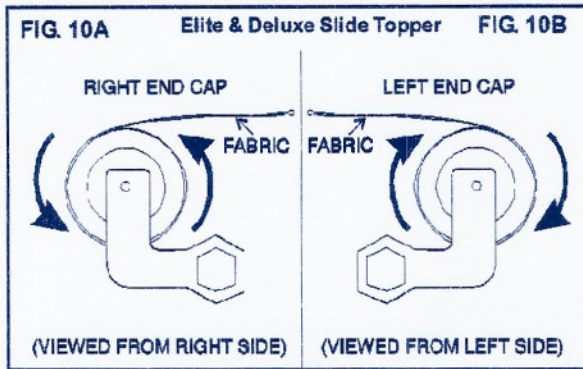


7. INSTALLING TORSION ASSEMBLY

- A. Re-install the torsion assembly in the roller tube. Align the rivet slots on the end cap with the holes in the roller tube.
- B. If the roller tube is new, rivet holes will need to be drilled.
 Drill 1/8" holes in the 1-13/16" diameter roller tube.
 Drill 3/16" holes in the 2-1/2" diameter roller tube.
 Use the end cap as a template to locate the holes. The open slot in the end caps should line up with the channel holding the fabric on both ends of the tube.
- C. Secure end cap to roller tube with three pop rivets of the proper size:
 1/8" x 1/4" aluminum pop rivet for 1-13/16" roller tube
 3/16" x 3/8" aluminum pop rivet for 2-1/2" roller tube

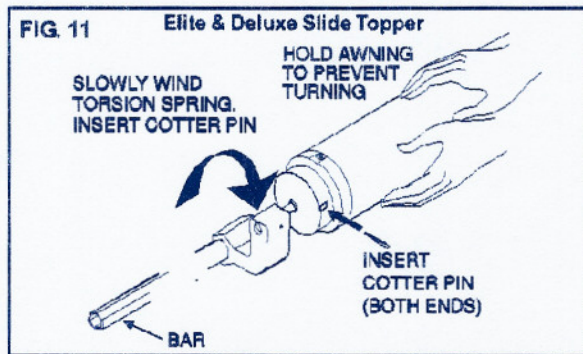
8. REWINDING TORSION SPRINGS

- A. Elite & Deluxe Slide Topper
 - 1. When facing the awning, the end bracket on the right is to be turned counterclockwise. See FIG. 10A. The end bracket on the left is turned clockwise. See FIG. 10B.



Length (Inches)	All
Turns	13

- 2. While controlling the hex extension bar turn the end bracket the number of turns specified in the chart above. Two people are required for this procedure. See FIG. 11.

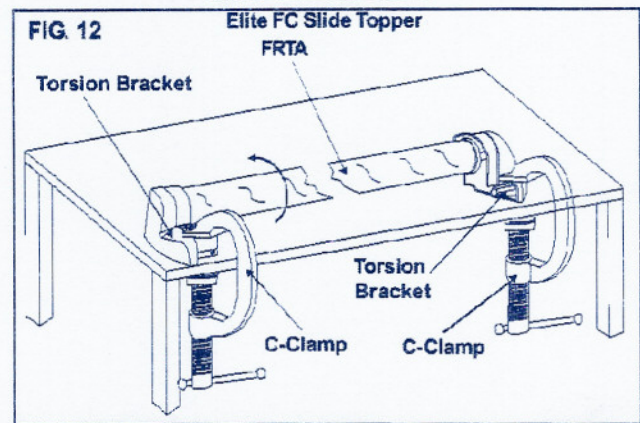


- 3. Insert the cotter pin into the end cap and through the hole in the torsion rod to lock spring tension into torsion. See FIG. 11. It may be necessary to slide the end bracket toward or away from the FRTA to align the hole in the torsion rod.

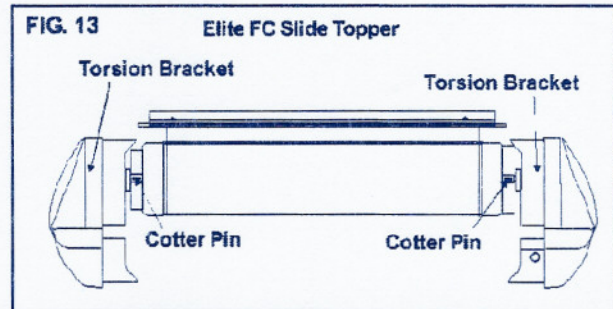
Important: Make sure the end brackets are in the same position on each end of the roller tube.

- 4. To re-install the Slide Topper refer to the Installation Instructions received with the Slide Topper.
- B. Elite FC Slide Topper
 - 1. Place the entire FRTA on a work bench and secure to bench with C-Clamp as shown in FIG. 12.
 - 2. While standing in front of the FRTA roll the FRTA away from you, the number of turns specified in the chart below. Two people are required for this procedure.

Length (inches)	All
Turns	13



- 3. Insert the cotter pin into the end cap and through the hole in the torsion rod to lock spring tension into torsion. See FIG. 13. It may be necessary to slide the end bracket toward or away from the FRTA to align the hole in the torsion rod.



- 4. To re-install the Slide Topper refer to the installation instructions received with the Slide Topper.