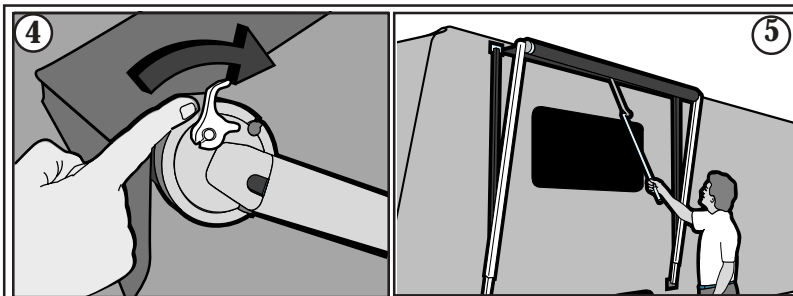


TO CLOSE AWNING (Continued):



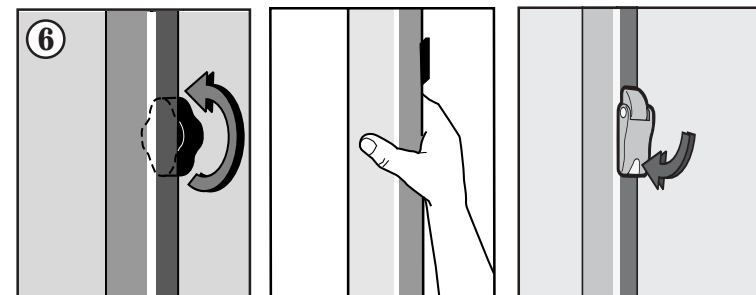
Grasp the pull strap, pull toward you, and flip the locking lever up to the ROLL UP position.

Slide the pull strap to the center, and using it to control speed, allow the awning to return to the vehicle side.

CAUTION

Do not release the awning pull strap now. It is under tension and could snap back against the vehicle side.

Note: Allow the strap to wind diagonally to prevent a bulge in the fabric.



Tighten black adjustment knob.

- Sunchaser Awnings: Squeeze rafter into arms to engage latch.
- 8500 & 9000: Flip travel lock latch down.

Repeat other side. Your awning is now ready for travel.

A&E ACCESSORIES FOR COMFORT AND CONVENIENCE:

- A&E Slide Topper™ protects your slideout unit.
- A&E Patty O'Mat™ under your awning looks great and keeps dirt from being tracked into your RV.
- A&E Window Awnings keep your RV cooler and protect your furnishings from sun damage.

Ask your RV dealer to show you these quality accessories and more from A&E.

HELPFUL HINTS FOR AWNING CARE

- Whenever the awning is wet while rolled up, as soon as conditions allow, roll it out and let it dry before rolling it up again. This will help prevent mildew and rotting.
- Mildew does not form on the fabric itself, but on the accumulated dust, dirt and grime. Periodically clean vinyl or woven acrylic. Refer to cleaning instructions below for fabric care.
- Always make sure the awning is extended high enough before opening the entry door.
- Apply silicone spray lubricant as needed to keep the awning's moving parts operating smoothly. For ease of operation on hardware, rub candle wax on all sliding surfaces.

A&E 8500 and SUNCHASER:

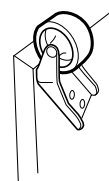
- Abrasion, weather and long hours in the sun are vinyl's worst enemies. To avoid these problems, you will need to keep your awning clean. Use a mixture of 1/4 cup dish soap, 1/4 cup bleach and five gallons of fresh water. Soap the open awning with this mixture, then roll it up and let stand for five minutes. Rolling up of the awning will apply the mixture to the underside of the fabric. Unroll the awning and hose off the top and bottom with clean water. Repeat if necessary and allow to completely dry.

A&E 9000 :

- In addition to its beauty and soft translucence, woven acrylic fabric offers the advantages of strength and breathable. It is water repellent; but because it is a woven cloth, it is not water proof. To keep your acrylic awning clean, simply hose it off occasionally and let it dry. Do Not Scrub.
- Avoid touching the underside of the 9000 canopy when it is wet. To do so will break the surface tension of the water and encourage seepage through the fabric.
- Because woven acrylic is of a much lighter weight than vinyl, shifting may occur if the awning and pull strap are not centrally aligned with the fabric roller tube while the awning is being rolled up. If necessary, roll the awning out and adjust the alignment.

WHEN TO GET MORE HELP:

- If malfunctions occur that cannot be corrected by reviewing this user's guide, contact a qualified Dometic service technician.



Note: A slight "travel line" may appear where the door roller contacts the awning fabric. This is considered normal and does not affect the integrity of the awning.

REVISION

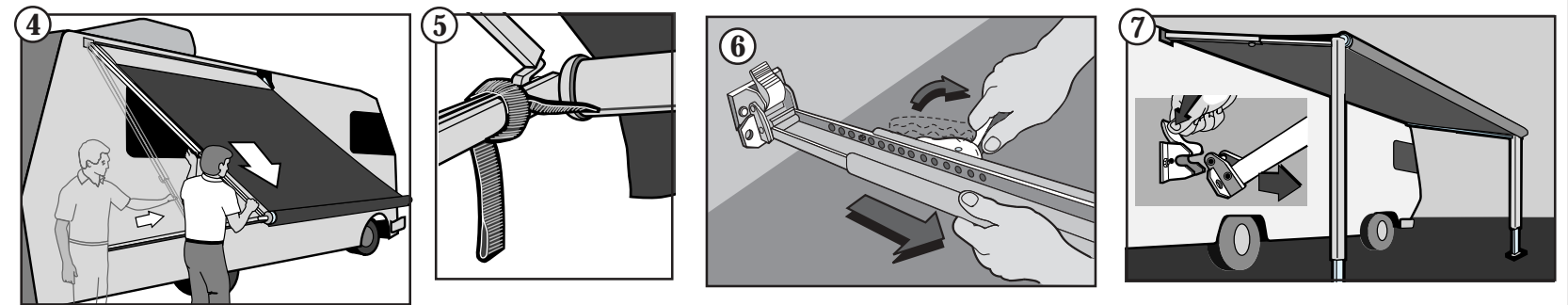
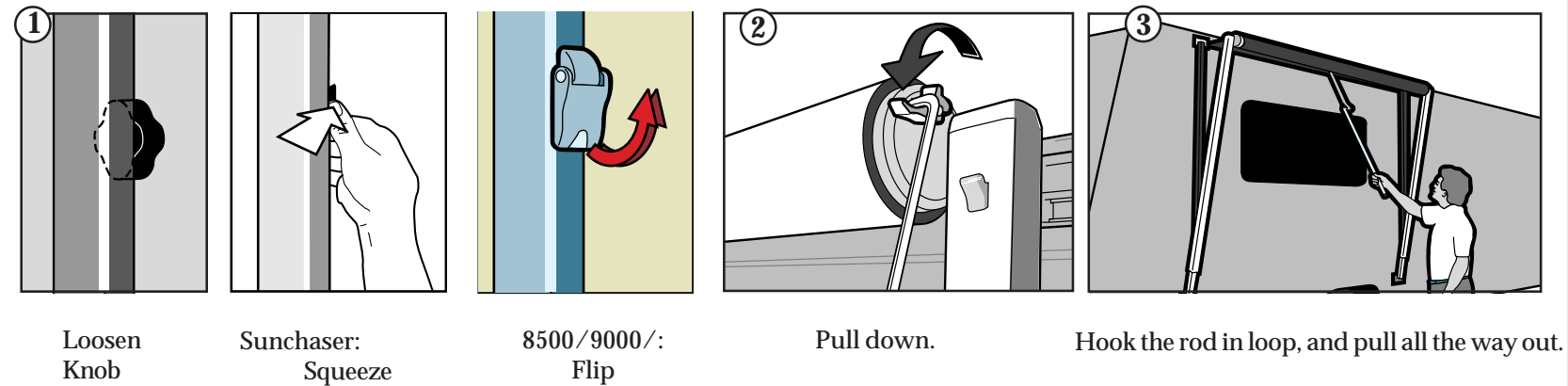
Form No. 3108608.021 1/04
(Replaces 3108608.013)
(French 3109197.024)
©2004 Dometic Corporation
LaGrange, IN 46761

Dometic A&E Systems

A&E SUNCHASER • 8500 • 9000
Patio Awnings

User's Guide

TO OPEN AWNING:

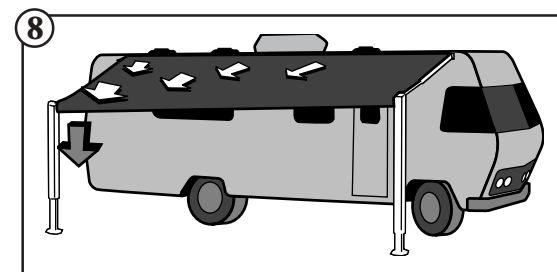


Slide one rafter arm up until it snaps into place. Pull down and out on the sliding rafter to remove slack from the fabric, and tighten the black adjustment knob. Repeat for other side.

Slide the pull strap to the right end of the tube, and wrap as shown.

Pull up on the lift handle to raise to desired height. Swing handle down to lock button in hole. Repeat for other side.

FOR CARPORT POSITION: Lower arm to shortest position. Press the release lever (see inset) and pull the arm away to a vertical position. Adjust height. Drive stakes through holes in patio foot into the ground. Repeat for other side.

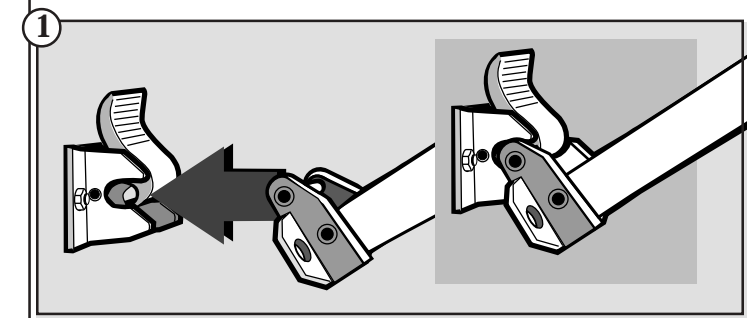


During light rain, lower end opposite from door to shed water and prevent pooling.

CAUTION
Ensure the lock lever is not flipped to the “roll-up” position prior to swinging the main arm away from coach. Failure to do so can cause damage to the lock mechanism.

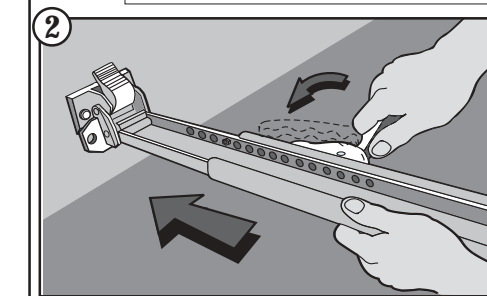
CAUTION
Whenever heavy or prolonged rain or wind is anticipated, or you will leave the awning unattended, it is best to close the awning. Damage as a result of weather is not covered by warranty.

TO CLOSE AWNING:

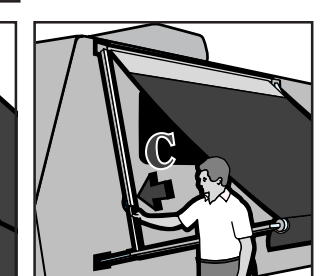
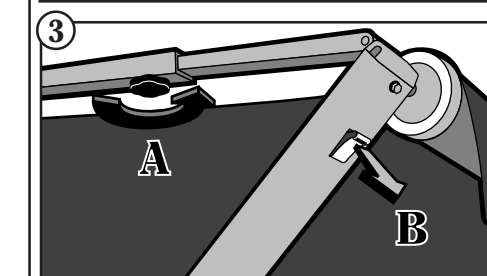


Pull stakes from the ground, lower arm to the shortest position, swing arm toward the vehicle, and snap the patio foot into the bracket. Repeat for other side and proceed to next step.

CAUTION
Ensure that the lock is in the “roll-down” position prior to swinging arms toward vehicle. Failure to do so can cause damage to the lock mechanism.



Raise the lift handle to release the lock button. Lower main arm to the stop plug. Swing the handle down to engage the lock button in a hole. Repeat for other side.



A: Loosen black adjustment knob. **B:** Lift slider catch. **C:** Slide the rafter arm down to the bottom of the main arm. Leave black adjustment knob loose. Repeat for other side.